

TA 46

TAP 50

SAP 50 series

**Metal oil filler
and air breather filler cap**

**Nylon oil filler
and breather plug**

**Nylon air
breather filter**



Technical data

Air breathers & Filler plugs

Metal oil filler and air breather filler cap Flow rate up to 200 l/min

TA46 is a range of compact metal air breathers and filler caps for protection of the tank against the solid contamination contained into the air and filling of the fluid into the systems during the commissioning and maintenance procedures. They are usually directly fitted on the tank. The robust design allows the use of these filters in any heavy-duty application.

Available features:

- Male threaded connections up to 1/4" and flanged connection with bayonet, for a maximum flow rate of 200 l/min
- Fine cellulose filtration, to get a good cleanliness level into the reservoir
- Filling basket, to hold the coarse contamination contained into the fluid and to diffuse the fluid flow into the tank

Common applications:

- Compact hydraulic systems
- Compact mobile machines
- Industrial equipment

Flow rate Δp 0.02 bar

TA46	Flow rate [l/min]	
	Filtration rating 03	10
	150	200

Materials (version G/N)

- Cover: Chrome plated steel
- Filter element: Resin impregnate paper, Polyurethane
- Flange: Galvanized steel
- Connection: Phosphatized steel

Materials (version B)

- Cover: Chrome plated steel
- Filter element: Resin impregnate paper, Polyurethane
- Flange: Galvanized steel
- Connection: Phosphatized steel
- Seals: NBR
- Chain, ring: Cork gasket
- Screws: Galvanized steel
- Basket: Brass

Temperature

From -25 °C to +100 °C

Weight

TA 46 B 0.10 kg
TA 46 G/N 0.11 kg



Designation & Ordering code

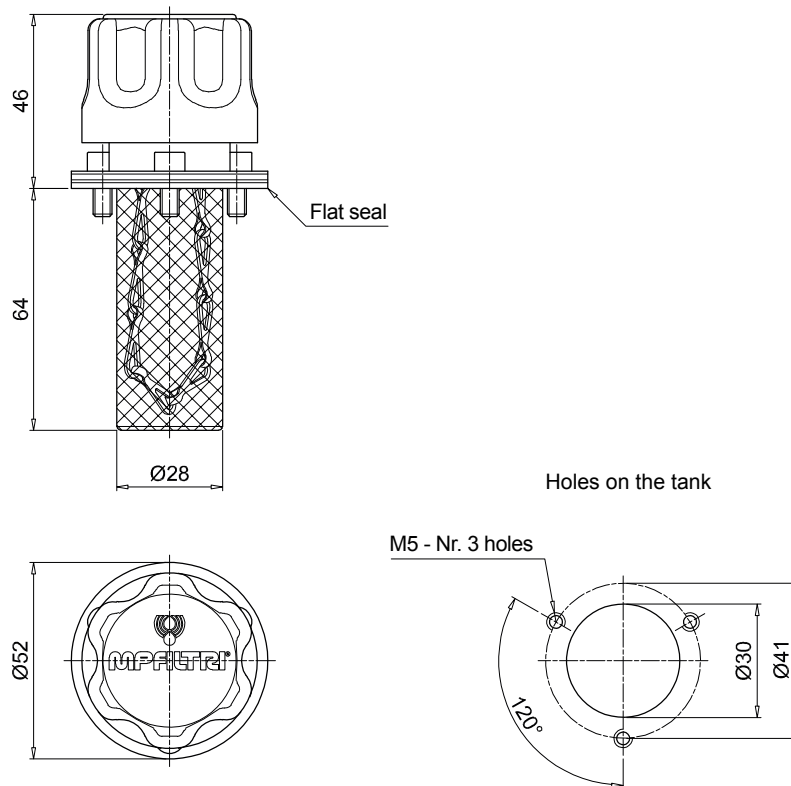
COMPLETE AIR BREATHER - TA46

Series and size	Configuration example 1:	TA46	B	03	A	0	0	1	P01
TA46	Configuration example 2:	TA46	G	10					P01
Connections to the tank									
B	Screwed flange with bayonet mount								
G	Thread G 1/4"								
N	Thread 1/4" NPT								
Filtration rating									
03	Resin impregnate paper	3 μ m							
10	Polyurethane	10 μ m							
Seals									
A	NBR		•						
Valve									
0	Without valve		•						
Version									
0	Standard		•						
Basket									
1	With basket		•						

Execution	
P01	MP Filtri standard
Pxx	Customized

TA46

Screwed flange



TA46

Threaded connection

